

# K5 Rotary Draw Latch

Large size

### Features

- Lift and turn operation
- Consistent pull-up

### Material

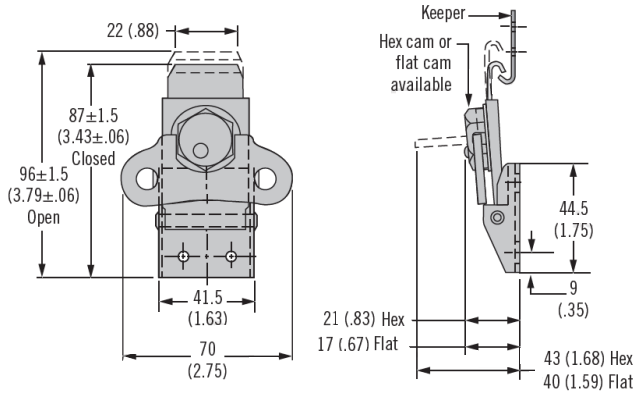
- Stainless steel or steel, zinc plated

### Notes

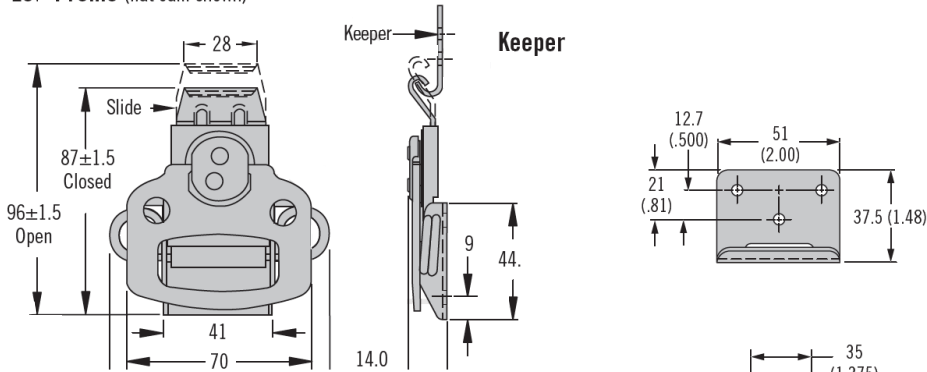
- Spring loaded and low profile: Ideal for applications where shock and vibration occur. Compensates up to 4 (.16) for mounting hole irregularities, panel variations and gasket set
- Install assembly with Ø5 rivets or M5 screws (not supplied)



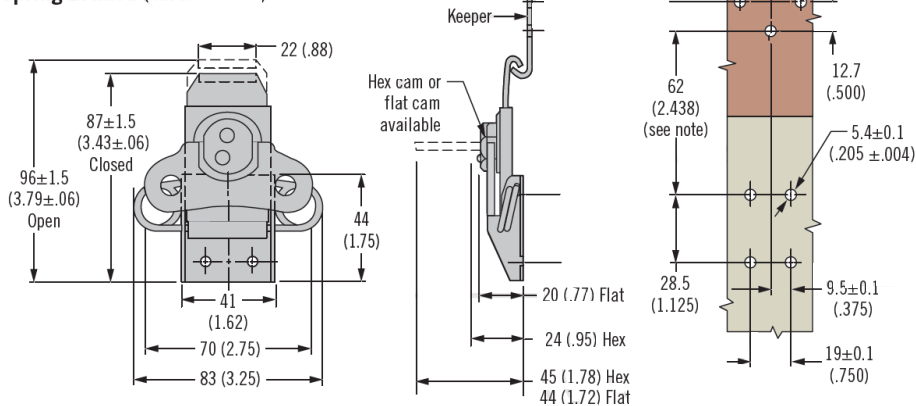
### Riveted (hex cam shown)



### Low Profile (flat cam shown)



### Spring Loaded (flat cam shown)



Material	Part Number					
	Riveted Hex Cam	Riveted Flat Cam	Low Profile Flat Cam	Spring Loaded Hex Cam	Spring Loaded Flat Cam	Keeper
Steel	K5-2812-07	K5-2857-07	K5-2814-07	K5-2858-07	K5-2856-07	K5-2811-07
Stainless Steel	~	K5-2857-52	~	~	K5-2856-52	K5-2811-52

## K5 Rotary Draw Latch

Large size

### Features

- Lift and turn operation
- Consistent pull-up

### Material

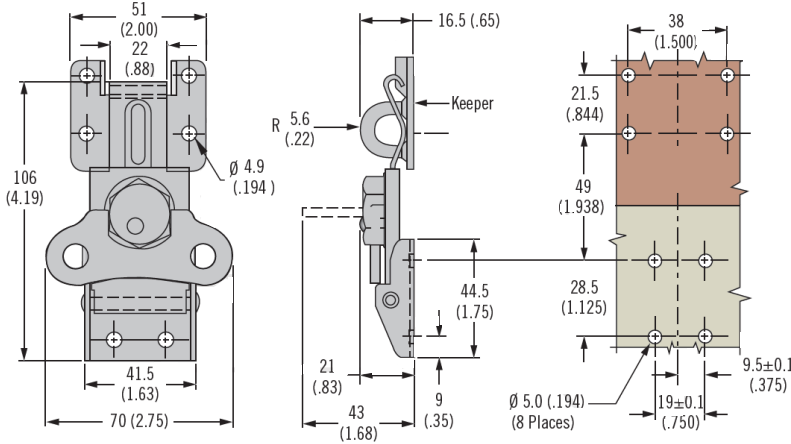
- Steel, zinc plated

### Notes

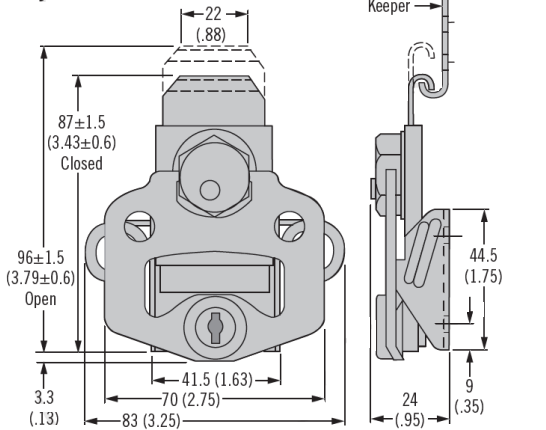
- Spring loaded: Ideal for applications where shock and vibration occur. Compensates up to 4 for mounting hole irregularities, panel variations and gasket set
- Install assembly with  $\varnothing 5$  rivets or M5 flat head screws (not supplied)



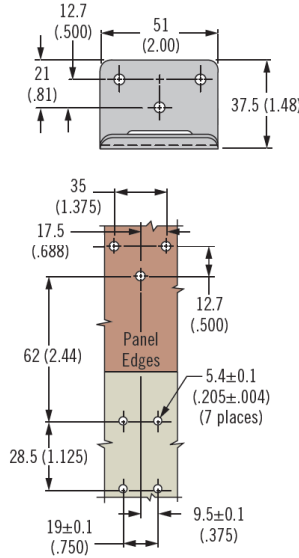
### Padlockable (riveted hex cam shown)



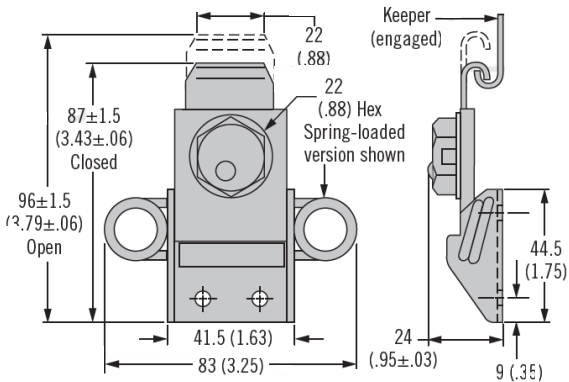
### Key Lockable



### Keeper



### Tool Operated (spring loaded shown)



Latch Part Number	
Padlockable Riveted Hex Cam	K5-2754-07
Padlockable Riveted Flat Cam	K5-1993-07
Padlockable Flat Cam, Spring Loaded	K5-1994-07
Key Lockable	K5-2813-07
Tool Operated, Spring Loaded	K5-2819-07
Tool Operated, Riveted	K5-2818-07
Keeper Part Number	
Keeper	K5-2811-07
Keeper, Padlockable	K5-1736-07

southco®

We are proud to be Southco's authorized distributor of over 20 years